



KT-LED110HID-H-EX39-850-D /G3

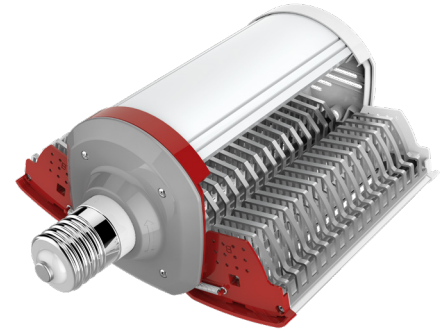
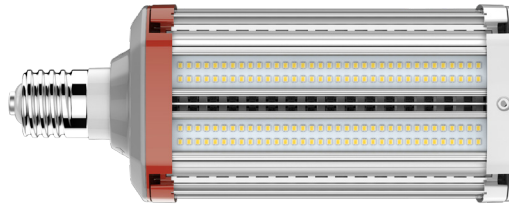
HID REPLACEMENT LED LAMP

DESCRIPTION

110W HID Replacement LED Lamp | 5000K | 85 CRI | IP64 Rated



LAMP TYPE: HID Replacement LED
BASE TYPE: EX39 (Mogul) Rotatable
WATTAGE: 110W
COLOR TEMPERATURE: 5000K
METAL HALIDE EQUIVALENT: 400W
COLOR RENDERING INDEX (CRI): 85
WARRANTY: 5 Years



PRODUCT FEATURES

- Replacement for conventional metal halide lamp
- Ideal for shoebox and canopy retrofit applications
- 50,000+ hour lifetime
- Environmentally friendly: No mercury used
- Instant startup
- UL Listed; listed on DLC QPL
- Optimized for horizontal applications with directional light output from opening LED assembly construction
- Operating temperature: -30°C to 60°C / -22°F to 140°F in enclosed fixture*
- Exceeding 30°C / 86°F in fully enclosed fixtures will engage active cooling and power de-rating to ensure full product lifetime
- Integral driver, eliminates the need for external driver or ballast; includes 4kV surge protection
- IP64 Rated; integrated heat sink quickly dissipates heat and guides water intrusion out of the lamp
- Suitable for use in fully enclosed fixture. Minimum lamp compartment dimensions: 11in x 11in x 11.6in
- Do not use with standard dimmers. Not compatible with phase dimmers. Dimming functions with sensors only

*Lamp may enter SmartCooling mode in order to optimize lamp performance when fixture environmental ambient temperature reaches 35°C-45°C / 95°F-113°F, depending on the fixture type. During this condition, lamp power consumption and lumen output may be regulated up 20% less than standard operation.

OPERATING SPECIFICATIONS

ELECTRICAL CHARACTERISTICS

Input Voltage	Power Consumption	Power Factor	Input Current
120-277Vac	110W	>0.9	0.92A @ 120V 0.40A @ 277V

RATED LIFE

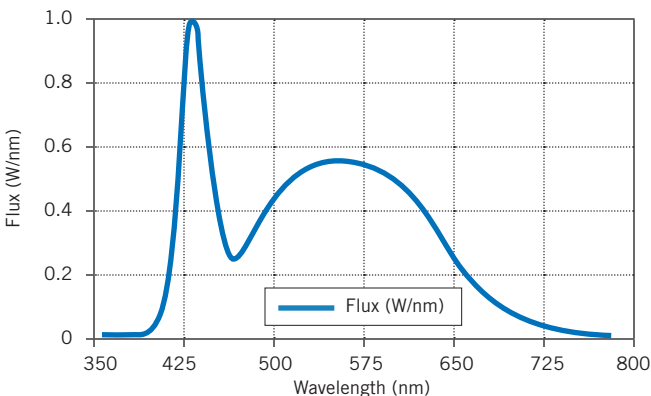
L70 (Hours)	50,000
-------------	--------

PHOTOMETRIC CHARACTERISTICS

Color Temperature (CCT)	5000K
Luminous Flux*	16500 lm
Color Rendering Index (CRI)	85
Efficacy	150 lm/W
Beam Angle	180°

* Based off of total lamp lumens

SPECTRAL DISTRIBUTION



SMART PORT LED

Low voltage AUX port for Smart Port LED sensors.

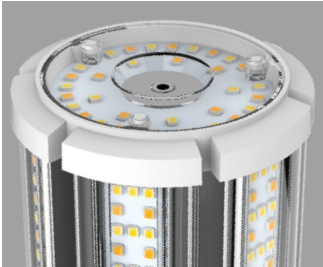




KT-LED110HID-H-EX39-850-D /G3

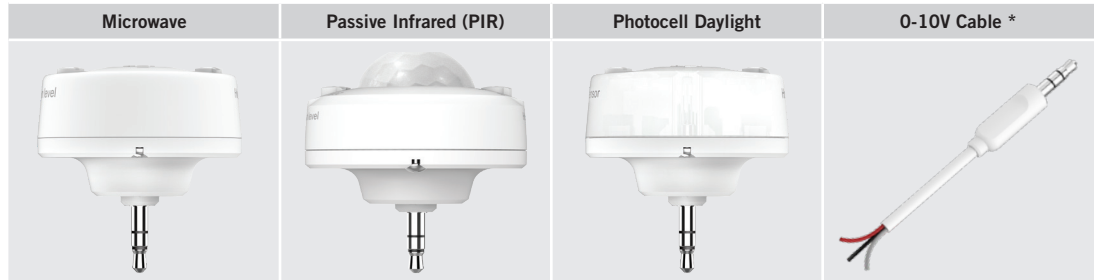
HID REPLACEMENT LED LAMP

SMART PORT LED



On the top of the lamp is a low-voltage AUX port for lamp level sensor controls.

SMART PORT LED AUX SENSORS



* For use with continuous dimming applications.

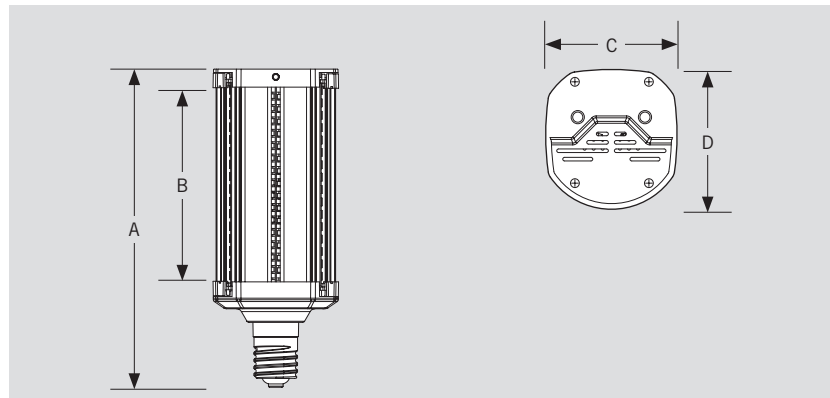
PHYSICAL CHARACTERISTICS

LAMP DIMENSIONS

Wings Closed

A (Body Length)	11.13"
B (Illuminated Length)	6.83"
C (Width)	4.39"
D (Height)	4.66"

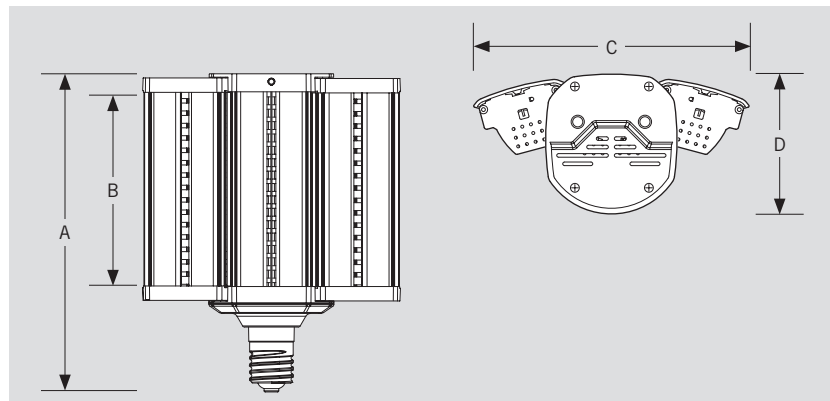
Base Type: EX39 (Mogul) Rotatable



Wings Open

A (Body Length)	11.13"
B (Illuminated Length)	6.83"
C (Width)	9.02"
D (Height)	4.66"

Base Type: EX39 (Mogul) Rotatable





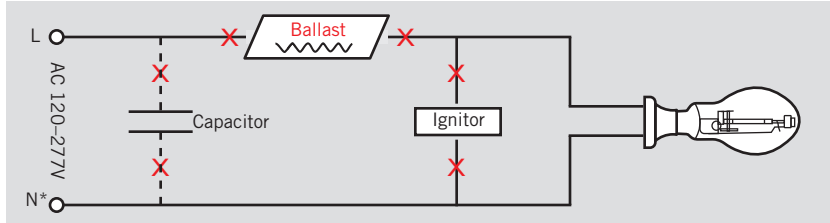
KT-LED110HID-H-EX39-850-D /G3

HID REPLACEMENT LED LAMP

WIRING INSTRUCTIONS

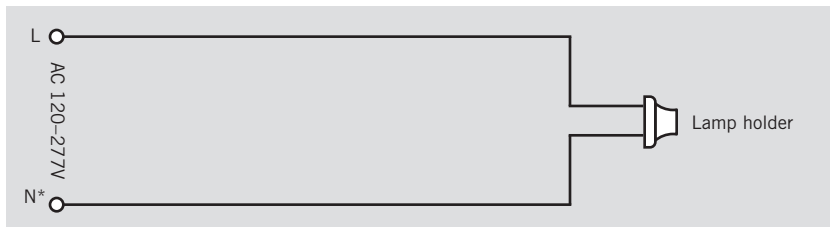
STEP 1

Disconnect power. Disconnect and remove existing ballast, capacitor, and/or ignitor (where applicable) from fixture.



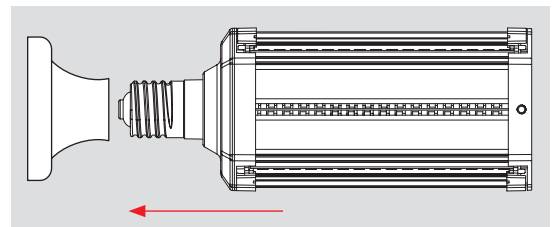
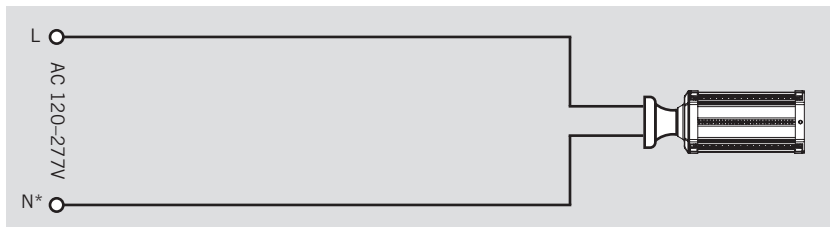
STEP 2

Rewire for line voltage to the lamp socket. Lamp is compatible with 120-277V from single phase, three phase wye, and three phase delta systems.



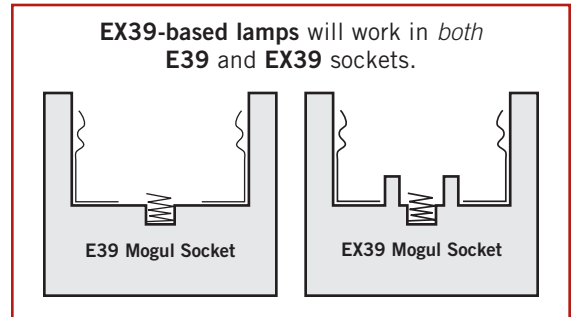
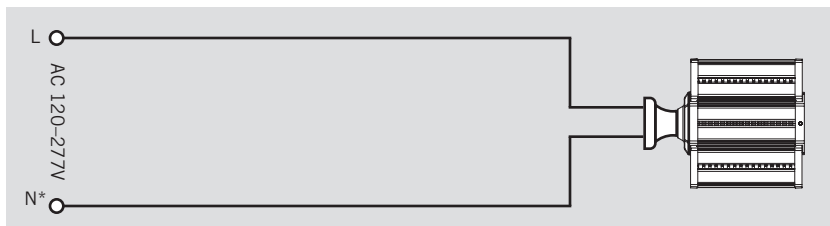
STEP 3

Install new LED replacement lamp. Ensure lamp is operating properly when power is turned on.



STEP 4

Rotate lamp base and open wings accordingly toward direction of desired lumination. *Note:* The lamp will not illuminate until wings are open



*or other line for certain three phase systems such as 120/208 three phase wye systems



KT-LED110HID-H-EX39-850-D /G3

HID REPLACEMENT LED LAMP

OPTIONAL ACCESSORIES

CATALOG NUMBER	DESCRIPTION
KTS-MW1-12V-AUX	SmartPort LED Microwave Occupancy sensor. On/Off with adjustable standby dimming level. 12V input, 3.5mm standard AUX port connection method
KTS-PIR1-12V-AUX	SmartPort LED PIR Occupancy sensor. On/Off with adjustable standby dimming level. 12V input, 3.5mm standard AUX port connection method
KTS-PS1-12V-AUX	SmartPort LED Photocell. On/Off with adjustable daylight threshold and timing. 12V input, 3.5mm standard AUX port connection method

ORDERING INFORMATION

ORDER CODE	PACK QTY.	EASY CODE	UPC
KT-LED110HID-H-EX39-850-D /G3-DP	16	IJS-89	843654123615

CATALOG NUMBER BREAKDOWN

KT-LED110HID-H-EX39-850-D /G3

1
2
3
4
5
6
7
8
9
10
11

- 1** Keystone Technologies
- 2** LED Lamp
- 3** Wattage
- 4** Lamp Type
- 5** Horizontal Orientation
- 6** Base Type
- 7** 800 Series
- 8** Color Temperature
- 9** Direct Drive Series
- 10** Third Generation
- 11** Third Generation

11 Sensor Options

	No Option
/PIR	PIR Occupancy Sensor included
/MW	Microwave Occupancy Sensor included
/PS	Photocell Sensor Included