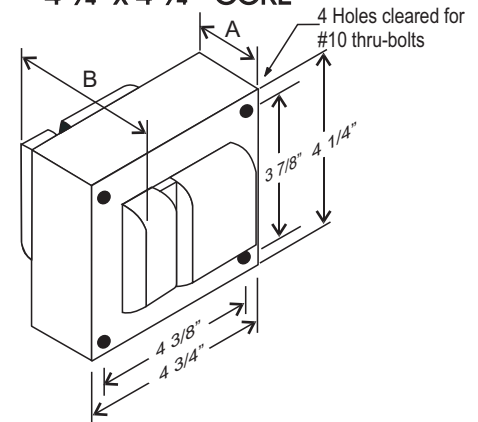


CATALOG NUMBER: E-MCA00W351 FOR ONE 350 WATT, M131 METAL HALIDE PULSE START LAMP

Line Voltage	120/208/240/277V
Regulation	
Line Volts	+/-10%
Lamp Watts	+/-10%
Frequency	60 Hz
Circuit Type	CWA
Power Factor (min)	90%
Insulation Class	H(180°)
Min. Ambient Starting Temp.	-20° F or -30° C

Line Voltage (Volts)	120	208	240	277
Line Current (Amps)				
Operating	3.40	2.0	1.70	1.50
Open Circuit	3.10	1.83	1.53	1.35
Starting	1.65	0.93	0.82	0.71
Input Watts (W)	400	400	400	400
Open Circuit Voltage (V)	275	275	275	275
Drop Out Voltage (V)	57	98	114	131
UL(1029) Bench Top Rise	C	C	C	C
Recommended Fuse (Amps)	10	7	5	5
HIGH POTENTIAL TEST (VOLTS)				
1Minute	2000			
2 Seconds	2500			
Open Circuit Voltage Test(volts)	250-300			
Short-Circuit Current Test (Amps)				
Secondary Current	3.2 - 3.8			
Input Current (Amps)	1.10 - 1.85	0.60 - 1.05	0.55 - 0.90	0.45 - 0.80

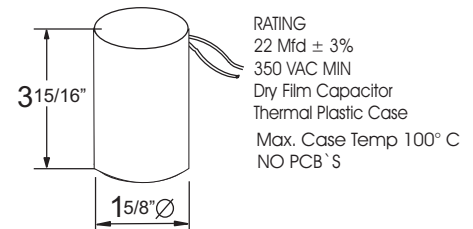
4 1/4" x 4 3/4" CORE



CORE AND COIL

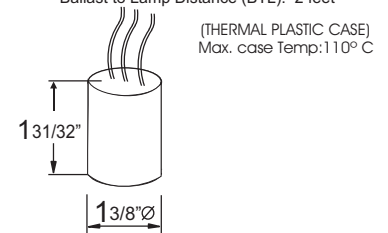
Dimension A (inches)	1.80
Dimension B (inches)	3.70
Weight (Lbs)	11.80
Lead Lengths (inches)	12

CAPACITOR



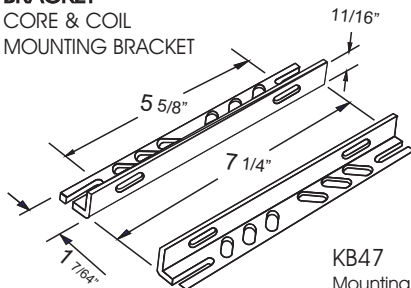
IGNITOR 37-63-AS-6.9-N7

Ballast to Lamp Distance (BTL): 2 feet



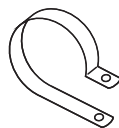
BRACKET

CORE & COIL
MOUNTING BRACKET



KB47

Mounting bracket for
Core & Coil Ballasts
(2 brackets with thru bolts)



C-01

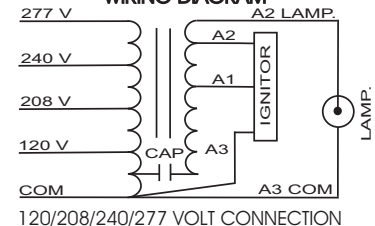
MOUNTING CLIP for round
case (Furnished as standard
with B suffix ballast)



I-01

MOUNTING CLIP for round
case (Furnished as standard
with B suffix ballast)

WIRING DIAGRAM



Data is based upon tests performed by Industrias Sola Basic in a controlled environment and representative of relative performance. Actual Performance can vary depending on operating conditions. Specifications are subject to change without notice.

ISO 9001:2000



SOLA CANADA

LIGHTING & POWER

171 Ambassador Drive
Units 8 & 9
Mississauga, ON
L5T 2J1

Phone: 905-670-0746
Fax: 905-670-9689

www.solacanada.com